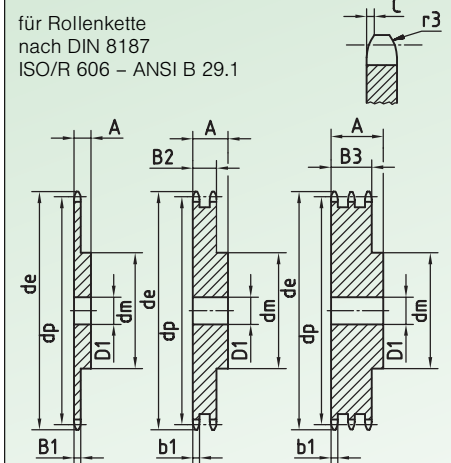


| Z | d _e | d _p | einfach | | | zweifach | | | dreifach | | |
|----|----------------|----------------|----------------|----------------|----|----------------|----------------|----|----------------|----------------|----|
| | | | d _m | D ₁ | A | d _m | D ₁ | A | d _m | D ₁ | A |
| 8 | 28,0 | 24,89 | 15 | 8 | 20 | 15 | 8 | 25 | 15 | 8 | 32 |
| 9 | 31,0 | 27,85 | 18 | 8 | 20 | 18 | 8 | 25 | 18 | 8 | 32 |
| 10 | 34,0 | 30,82 | 20 | 8 | 20 | 20 | 8 | 25 | 20 | 10 | 32 |
| 11 | 37,0 | 33,80 | 22 | 8 | 25 | 22 | 10 | 30 | 22 | 12 | 35 |
| 12 | 40,0 | 36,80 | 25 | 8 | 25 | 25 | 10 | 30 | 25 | 12 | 35 |
| 13 | 43,0 | 39,79 | 28 | 8 | 25 | 28 | 10 | 30 | 28 | 12 | 35 |
| 14 | 46,3 | 42,80 | 31 | 8 | 25 | 31 | 10 | 30 | 31 | 12 | 35 |
| 15 | 49,3 | 45,81 | 34 | 8 | 25 | 34 | 10 | 30 | 34 | 12 | 35 |
| 16 | 52,3 | 48,82 | 37 | 10 | 28 | 37 | 12 | 30 | 37 | 12 | 35 |
| 17 | 55,3 | 51,83 | 40 | 10 | 28 | 40 | 12 | 30 | 40 | 12 | 35 |
| 18 | 58,3 | 54,85 | 43 | 10 | 28 | 43 | 12 | 30 | 43 | 12 | 35 |
| 19 | 61,3 | 57,87 | 45 | 10 | 28 | 46 | 12 | 30 | 46 | 12 | 35 |
| 20 | 64,3 | 60,89 | 46 | 10 | 28 | 49 | 12 | 30 | 49 | 12 | 35 |
| 21 | 68,0 | 63,91 | 48 | 12 | 28 | 52 | 16 | 30 | 52 | 16 | 40 |
| 22 | 71,0 | 66,93 | 50 | 12 | 28 | 55 | 16 | 30 | 55 | 16 | 40 |
| 23 | 73,5 | 69,95 | 52 | 12 | 28 | 58 | 16 | 30 | 58 | 16 | 40 |
| 24 | 77,0 | 72,97 | 54 | 12 | 28 | 61 | 16 | 30 | 61 | 16 | 40 |
| 25 | 80,0 | 76,00 | 57 | 12 | 28 | 64 | 16 | 30 | 64 | 16 | 40 |
| 26 | 83,0 | 79,02 | 60 | 12 | 28 | 67 | 16 | 30 | 67 | 16 | 40 |
| 27 | 86,0 | 82,05 | 60 | 12 | 28 | 70 | 16 | 30 | 70 | 16 | 40 |
| 28 | 89,0 | 85,07 | 60 | 12 | 28 | 73 | 16 | 30 | 73 | 16 | 40 |
| 29 | 92,0 | 88,09 | 60 | 12 | 28 | 76 | 16 | 30 | 76 | 16 | 40 |
| 30 | 94,7 | 91,12 | 60 | 12 | 30 | 79 | 16 | 30 | 79 | 16 | 40 |
| 31 | 98,3 | 94,15 | 65 | 14 | 30 | 80 | 16 | 30 | 80 | 16 | 40 |
| 32 | 101,3 | 97,17 | 65 | 14 | 30 | 80 | 16 | 30 | 80 | 16 | 40 |
| 33 | 104,3 | 100,20 | 65 | 14 | 30 | 80 | 16 | 30 | 80 | 16 | 40 |
| 34 | 107,3 | 103,23 | 65 | 14 | 30 | 80 | 16 | 30 | 85 | 16 | 40 |
| 35 | 110,4 | 106,26 | 65 | 14 | 30 | 80 | 16 | 30 | 85 | 16 | 40 |
| 36 | 113,4 | 109,29 | 70 | 16 | 30 | 90 | 16 | 30 | 90 | 16 | 40 |
| 37 | 116,4 | 112,32 | 70 | 16 | 30 | 90 | 16 | 30 | 90 | 16 | 40 |
| 38 | 119,5 | 115,35 | 70 | 16 | 30 | 90 | 16 | 30 | 90 | 16 | 40 |
| 39 | 122,5 | 118,37 | 70 | 16 | 30 | 90 | 16 | 30 | 90 | 16 | 40 |
| 40 | 125,5 | 121,40 | 70 | 16 | 30 | 90 | 16 | 30 | 90 | 16 | 40 |
| 42 | 132,1 | 127,46 | *78 | 16 | 35 | *88 | 20 | 50 | | | |
| 45 | 141,1 | 136,54 | *78 | 16 | 35 | *88 | 20 | 50 | *88 | 20 | 60 |
| 46 | 144,2 | 139,58 | *78 | 16 | 35 | | | | | | |
| 48 | 150,2 | 145,64 | *78 | 16 | 35 | *88 | 20 | 50 | | | |
| 50 | 156,3 | 151,69 | *78 | 20 | 35 | *88 | 20 | 50 | *88 | 20 | 60 |
| 55 | 171,4 | 166,85 | *78 | 20 | 35 | | | | | | |
| 57 | 177,5 | 172,91 | *78 | 20 | 35 | *88 | 20 | 50 | *88 | 25 | 60 |
| 60 | 186,6 | 181,99 | *78 | 20 | 35 | *88 | 20 | 50 | *88 | 25 | 60 |
| 76 | 235,1 | 230,49 | *78 | 20 | 35 | *88 | 25 | 50 | *88 | 25 | 60 |
| 95 | 292,7 | 288,08 | *88 | 25 | 40 | *108 | 25 | 50 | *120 | 25 | 60 |

Kettenrad 3/8 x 7/32 "

für Rollenkette
nach DIN 8187
ISO/R 606 – ANSI B 29.1



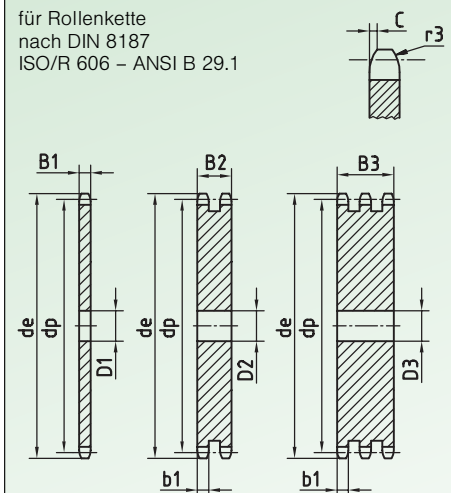
*Kettenräder mit angeschweißter Nabe

| Kettenrad | ISO mm | ASA-35 mm |
|--------------------------------|-----------|--------------|
| Zahnkopfrundung r ₃ | 10 | 10 |
| Breite der Rundung C | 1 | 1,2 |
| Zahnkranzbreite B ₁ | 5,3 | 4,3 |
| Zahnkranzbreite b ₁ | 5,2 | 4,1 |
| Zahnkranzbreite B ₂ | 15,4 | 14,3 |
| Zahnkranzbreite B ₃ | 25,6 | 24,4 |
| Kette | mm | mm |
| Teilung | 9,525 | 9,525 |
| Innere Breite | 5,72 | 4,77 |
| Rollen-Ø | 6,35 | 5,08 |

| Z | d _e | d _p | S D ₁ | D D ₂ | T D ₃ | Z | d _e | d _p | S D ₁ | D D ₂ | T D ₃ |
|----|----------------|----------------|---------------------|---------------------|---------------------|-----|----------------|----------------|---------------------|---------------------|---------------------|
| 8 | 28,0 | 24,89 | 6 | | 8 | 44 | 137,6 | 133,52 | 16 | 20 | 20 |
| 9 | 31,0 | 27,85 | 8 | | 8 | 45 | 140,7 | 136,55 | 16 | 20 | 20 |
| 10 | 34,0 | 30,82 | 8 | | | 46 | 143,7 | 139,58 | 16 | 20 | |
| 11 | 37,0 | 33,80 | 8 | 10 | 12 | 47 | 146,7 | 142,61 | 16 | | |
| 12 | 40,0 | 36,80 | 8 | 10 | 12 | 48 | 149,7 | 145,64 | 16 | 20 | 20 |
| 13 | 43,0 | 39,79 | 8 | 10 | 12 | 49 | 152,7 | 148,66 | 16 | 20 | |
| 14 | 46,3 | 42,80 | 8 | 10 | 12 | 50 | 155,7 | 151,69 | 20 | 20 | 20 |
| 15 | 49,3 | 45,81 | 8 | 10 | 12 | 51 | 158,7 | 154,72 | 20 | 20 | |
| 16 | 52,3 | 48,82 | 10 | 12 | 12 | 52 | 161,8 | 157,75 | 20 | 20 | |
| 17 | 55,3 | 51,83 | 10 | 12 | 12 | 53 | 164,8 | 160,78 | 20 | 20 | |
| 18 | 58,3 | 54,85 | 10 | 12 | 12 | 54 | 167,8 | 163,82 | 20 | 20 | |
| 19 | 61,3 | 57,87 | 10 | 12 | 12 | 55 | 170,8 | 166,85 | 20 | 20 | |
| 20 | 64,3 | 60,89 | 10 | 12 | 12 | 56 | 173,8 | 169,88 | 20 | 20 | |
| 21 | 68,0 | 63,91 | 10 | 12 | 16 | 57 | 176,9 | 172,91 | 20 | 20 | 25 |
| 22 | 71,0 | 66,93 | 10 | 12 | 16 | 58 | 179,9 | 175,93 | 20 | 20 | 25 |
| 23 | 73,5 | 69,95 | 10 | 12 | 16 | 59 | 183,0 | 178,86 | | | |
| 24 | 77,0 | 72,97 | 10 | 12 | 16 | 60 | 186,0 | 181,99 | | 20 | 25 |
| 25 | 80,0 | 76,02 | 10 | 12 | 16 | 62 | 192,1 | 188,06 | 20 | 25 | |
| 26 | 83,0 | 79,02 | 10 | 16 | 16 | 64 | 198,2 | 194,12 | 20 | 25 | 25 |
| 27 | 86,0 | 82,02 | 10 | 16 | 16 | 65 | 201,6 | 197,15 | 20 | 25 | 25 |
| 28 | 89,0 | 85,07 | 10 | 16 | 16 | 66 | 204,6 | 200,18 | 20 | | 25 |
| 29 | 92,0 | 88,09 | 10 | 16 | 16 | 68 | 210,7 | 206,24 | 20 | 25 | |
| 30 | 94,7 | 91,12 | 10 | 16 | 16 | 70 | 216,7 | 212,30 | 20 | 25 | 25 |
| 31 | 98,3 | 94,15 | 12 | 16 | 16 | 72 | 222,8 | 218,37 | 20 | 25 | 25 |
| 32 | 101,3 | 97,17 | 12 | 16 | 16 | 75 | 231,9 | 227,46 | 20 | 25 | |
| 33 | 104,3 | 100,20 | 12 | 16 | | 76 | 234,9 | 230,49 | 20 | 25 | 25 |
| 34 | 107,3 | 103,23 | 12 | 16 | 16 | 78 | 241,0 | 236,55 | | 25 | 25 |
| 35 | 110,4 | 106,26 | 12 | 16 | 16 | 80 | 247,1 | 242,61 | 20 | 25 | 25 |
| 36 | 113,4 | 109,29 | 12 | 16 | 20 | 85 | 262,2 | 257,77 | 25 | 25 | |
| 37 | 116,4 | 112,32 | 12 | 16 | | 90 | 277,4 | 272,93 | 25 | 25 | 25 |
| 38 | 119,5 | 115,35 | 12 | 16 | 20 | 95 | 292,5 | 288,08 | 25 | 25 | 25 |
| 39 | 122,5 | 118,37 | 12 | 16 | | 100 | 307,7 | 303,25 | 25 | 25 | 25 |
| 40 | 125,5 | 121,40 | 12 | 16 | 20 | 110 | 338,0 | 333,55 | 25 | 25 | |
| 41 | 128,5 | 124,43 | 16 | 20 | | 114 | 349,5 | 345,68 | 25 | 25 | 25 |
| 42 | 131,6 | 127,46 | 16 | 20 | 20 | 120 | 368,3 | 363,86 | 25 | 25 | |
| 43 | 134,6 | 130,49 | 16 | 20 | | 125 | 383,5 | 379,02 | 25 | 25 | 25 |

Kettenradscheibe 3/8 x 7/32 "

für Rollenkette
nach DIN 8187
ISO/R 606 – ANSI B 29.1



| Kettenradscheibe | ISO mm | ASA-35 mm |
|--------------------------------|-----------|--------------|
| Zahnkopfrundung r ₃ | 10 | 10 |
| Breite der Rundung C | 1 | 1,2 |
| Zahnkranzbreite B ₁ | 5,3 | 4,3 |
| Zahnkranzbreite b ₁ | 5,2 | 4,1 |
| Zahnkranzbreite B ₂ | 15,4 | 14,3 |
| Zahnkranzbreite B ₃ | 25,6 | 24,4 |
| Kette | mm | mm |
| Teilung | 9,525 | 9,525 |
| Innere Breite | 5,72 | 4,77 |
| Rollen-Ø | 6,35 | 5,08 |